

Roll Out Awning Walls Erection Instructions

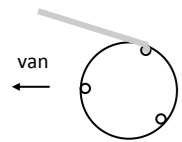
"experience is what you need"

1. Erect Roll Out Awning as per manufacturer's instructions in conjunction with the next two directions

(a) Swing support poles down to ground
(not clipped to van on an angle)

(b) Before tensioning roof do the following

(i) ensure that roller is in correct position (empty roller slot should face the van (9 o'clock))



See 1(b)(i)

(ii) slide long wall into empty roller slot, peg down to ground and adjust height of support legs to tension wall

(iii) after steps (i) and (ii), then tension roof skin

2. Slide together the two halves of each Anti Flap Kit (AFK) rail (ensuring that you have each rail on the correct side of the roof, they are not interchangeable)

3. Open clamp locks and hook AFK into bracket on van, swing up towards roller and extend rail until spigot slides into hole in roller. Adjust tight and then ensure that roof skin is under hinged flaps and close clamps to seal

4. Slide the end walls through the top rope track in the AFK commencing from the middle of the AFK and sliding both ways. Then slide separate touch tape strip into track on van and attach wall to strip using touch tape sewn to wall.

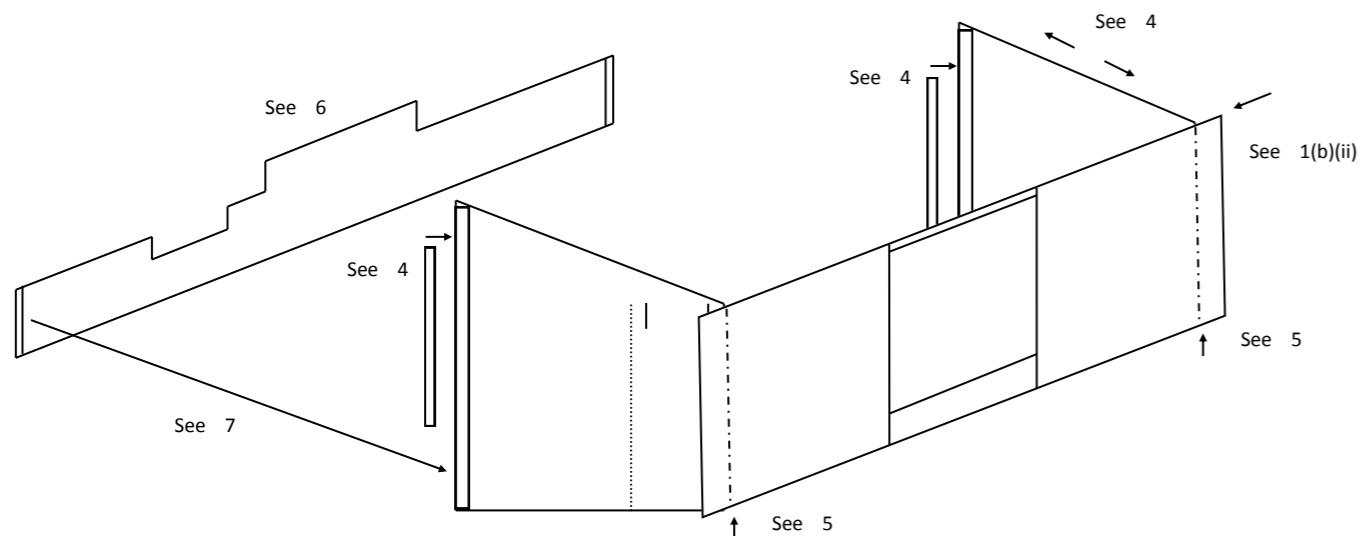
5. Zip end walls to long wall, wrap end of long walls around upright pole and fasten tight with touch tape.

6. Press stud Storm Flap to bottom of caravan and peg down to ground

7. Peg end walls down to ground. Attach storm flap to end walls by touch tape attached.

8. If on a pop-top attach flaps onto vinyl caravan sleeve using plastic rod supplied.

9. Fit Curved Roof Rafter(s) if supplied.



"experience is what you need"

Adelaide Annexe & Canvas Pty Ltd

19 Woodlands Terrace, Edwardstown SA 5039

Ph: 08 8357 4444

Website: www.adelaideannexe.com.au

Fax: 08 8357 4447

Email: sales@adelaideannexe.com.au

ROLL OUT AWNING WALLS INFORMATION BOOKLET



Also Suppliers of

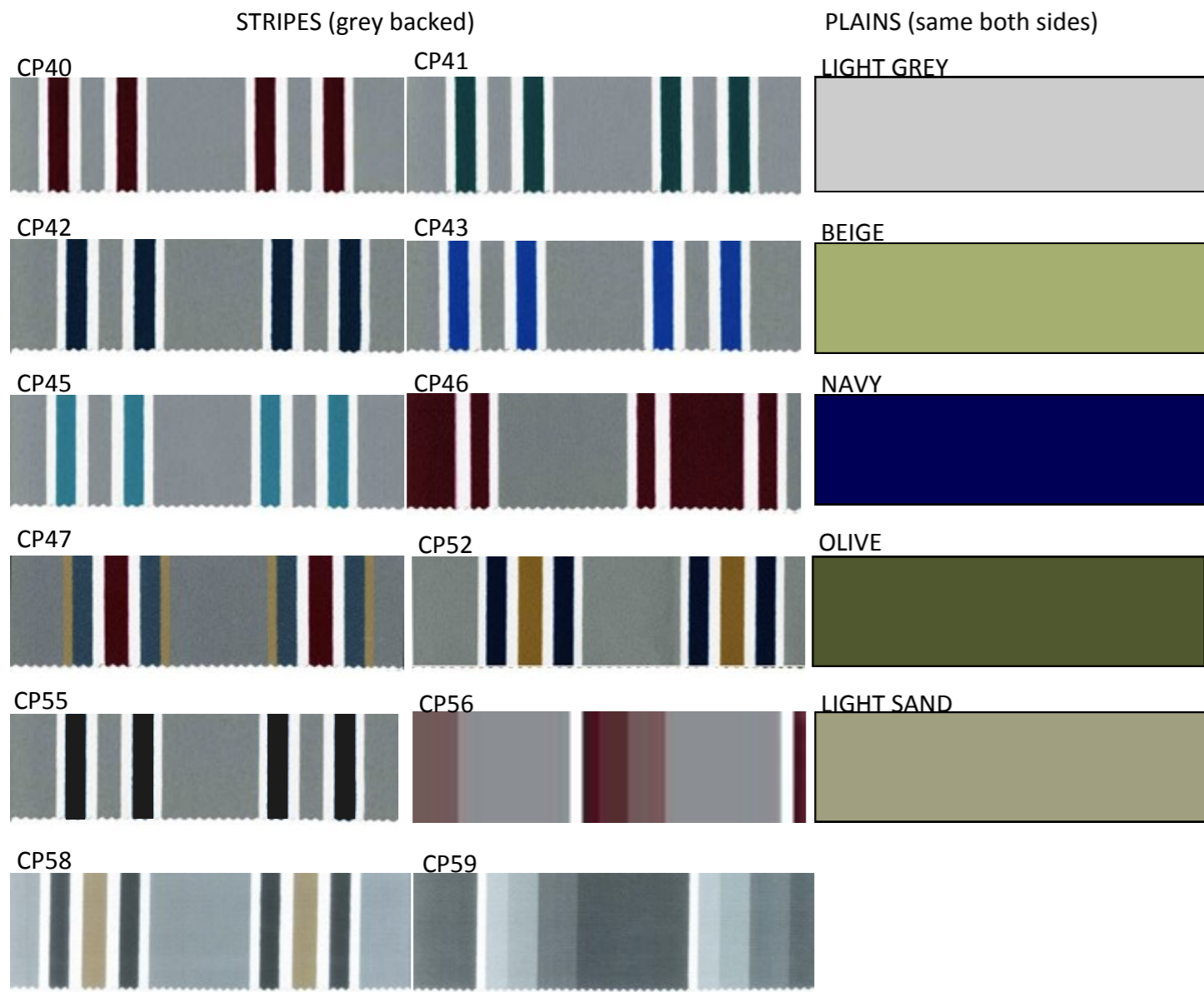
BAG AWNINGS

BAG AWNING WALLS

FULL ANNEXES

AWNINGS

SUNBLOCK WALLS



Roll Out Awning Walls Doors Windows etc.

"experience is what you need"

Choosing the right walls for you.

1. COLOUR / PATTERN -see colour swatch page
CHOICE _____
2. DOORS / ROOM DIVIDER / WINDOWS

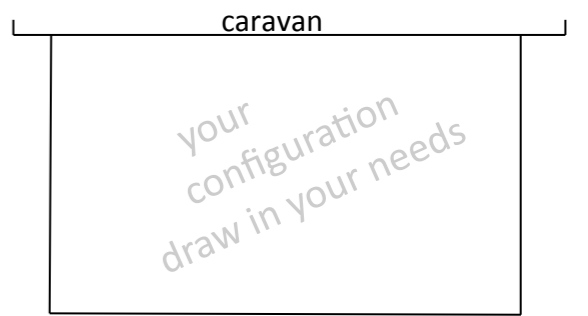
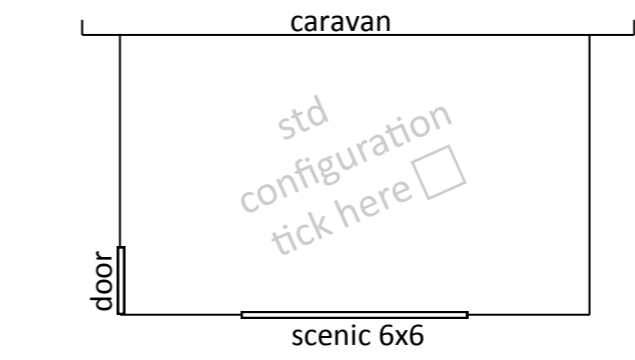
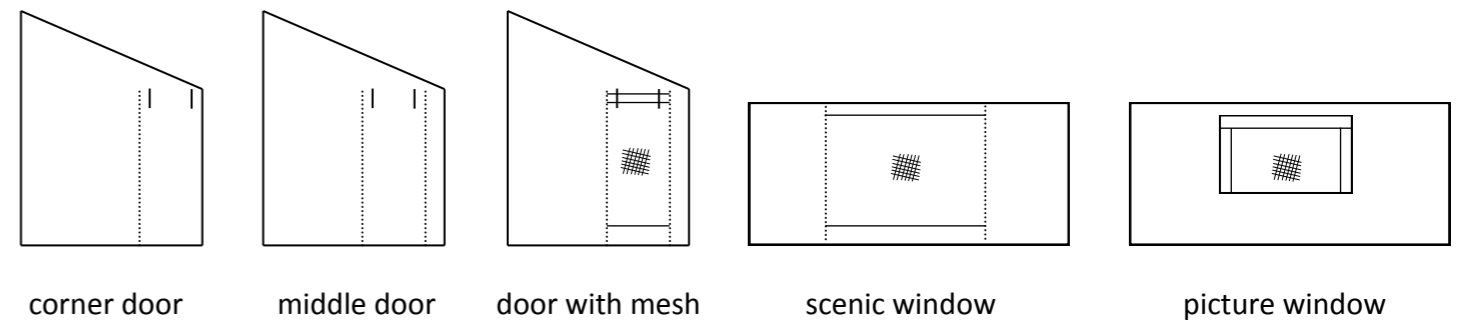
DOORS

- **corner door (std) 1 zip**
Door must be on outer corner of either end wall as it uses existing corner zip
- **middle door 2 zips**
Door can be any where on either end wall as it has it's own two zips
- **door with mesh 2 zips**
Door can be any where on either end wall . You can roll up canvas to expose the mesh, roll up mesh to just have canvas or roll up both for the door to be open.

WINDOWS - scenic window (std) (outside roll up)
Has two vertical zips in wall with mesh sewn behind. Mesh is approximately 6' (183cm) high including 1' (30cm) of canvas at bottom for strength. Width is 6' (183cm) maximum. Outside canvas flap can be zipped closed, rolled up to be open or flown out to provide more shade either horizontally with two extra poles or on an angle with some short ropes pegged to the ground.

- **picture window (inside control)**
U shaped zip sewn into wall with mesh sewn on outside. Window can be rolled down to expose as much or as little mesh as is needed for ventilation and light or for privacy.

ROOM DIVIDER - **with corner door**
To split your annexe into two rooms you can add a room divider. Complete with corner door this wall will zip to your long wall and fix to rope track on your van.



PRICING (incl GST)

ROLL OUT AWNING WALLS (width of Awning skin)	upto 3m (9'11")	\$2164.90
	3m to 3.5m (10' to 11'11")	\$2222.00
	3.5m to 4m (12' to 13'11")	\$2278.10
	4m to 4.5m (14' to 15'11")	\$2334.20
(includes 1 Scenic Window)	4.5m to 5m (16' to 17'6")	\$2378.20
(includes 1 Corner Door)	5m to 5.5m (17'6" to 18'11")	\$2448.60
(includes Draught Skirt)	5.5m to 6m (19' to 20'11")	\$2502.50
INSTALLATION	STD INSTALLATION AT FACTORY	\$180.40
	STD INSTALLATION ON SITE	\$400.40
	INSTALL CURVED ROOF RAFTER	\$25.00
EXTRAS	SCENIC WINDOW 6' x 6'	\$206.80
	SCENIC WINDOW 4' x 6'	\$188.10
	ADD CLEAR PVC TO SCENIC	\$280.50
	PICTURE WINDOW 4' x 3'	\$171.60
	PICTURE WINDOW 4' x 4'	\$194.70
	ADD CLEAR PVC TO PICTURE	\$62.70
	CORNER DOOR	\$80.30
	MIDDLE DOOR	\$136.40
	MIDDLE DOOR WITH MESH	\$269.50
	ROOM DIVIDER (NO DOOR)	\$366.30
	CURVED ROOF RAFTER	\$64.90
	ANNEXE MESH FLOORING (per m)	\$38.72