

*“experience is what you need”*

## Adelaide Annexe & Canvas Pty Ltd

39-47 West Thebarton Road, Thebarton SA 5031

Ph: 08 8357 4444

Website: [www.adelaideannexe.com.au](http://www.adelaideannexe.com.au)

Ph: 08 8357 4444

Website: [www.adelaideannexe.com.au](http://www.adelaideannexe.com.au)

# BAG AWNING and WALLS INFORMATION BOOKLET

PRICING (incl GST)	ROOF		WALLS		COMPLETE		
	STD	FAMILY	STD	FAMILY	STD	FAMILY	
BAG AWNING & WALLS	7'	\$788.70	\$988.70	\$1309.00	\$1559.00	\$2097.70	\$2547.70
(includes	8'	\$833.80	\$1033.80	\$1373.90	\$1809.00	\$2207.70	\$2657.70
1 Scenic Window	9'	\$866.80	\$1066.80	\$1406.90	\$2059.00	\$2273.70	\$2723.70
1 Corner Door	10'	\$913.00	\$1113.00	\$1464.10	\$1714.10	\$2377.10	\$2827.10
Draught Skirt)	11'	\$942.70	\$1142.70	\$1504.80	\$1754.80	\$2447.50	\$2897.50
	12'	\$1003.20	\$1203.20	\$1548.80	\$1798.80	\$2552.00	\$3002.00
INSTALLATION	STD INSTALLATION AT FACTORY				\$138.60		
	STD INSTALLATION ON SITE				\$353.10		
EXTRAS	SCENIC WINDOW 6' x 6'				\$206.80		
	SCENIC WINDOW 4' x 6'				\$188.10		
	ADD CLEAR PVC TO SCENIC				\$280.50		
	PICTURE WINDOW 4' x 3'				\$171.60		
	PICTURE WINDOW 4' x 4'				\$194.70		
	ADD CLEAR PVC TO PICTURE				\$62.70		
	CORNER DOOR				\$80.30		
	MIDDLE DOOR				\$136.40		
	MIDDLE DOOR WITH MESH				\$269.50		
	ROOM DIVIDER (NO DOOR)				\$366.30		
	ANNEXE MESH FLOORING (per m)				\$38.72		
BED END FLYS	BED END BAG FLYS WITH MESH (PAIR)				\$640.00		
SAFETY WALL & DIVIDER	SAFETY WALL & DIVIDER				\$275.00		
	(SUITS JAYCO SWAN, FLAMINGO, EAGLE, HAWK, DOVE, SWIFT )						
	SAFETY WALL ONLY (NO ZIPS)				\$130.00		
KITCHEN AWNING	10' TO 12				\$600.00		
	7' TO 9'				\$560.00		
	INSTALLATION				\$60.00		



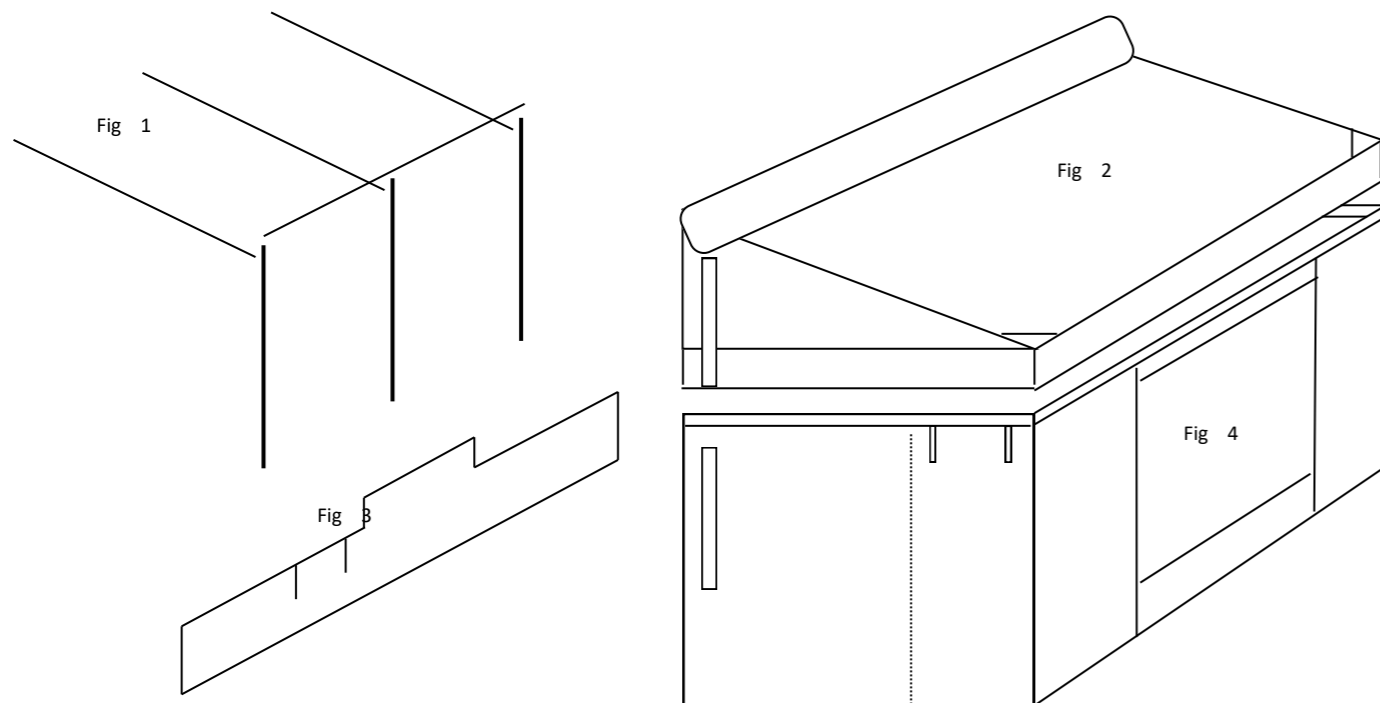
Also Suppliers of  
 ROLL OUT AWNINGS  
 ROLL OUT AWNING WALLS  
 FULL ANNEXES  
 AWNINGS

SUNBLOCK WALLS  
 PRIVACY SCREENS  
 SAFETY WALL AND DIVIDER  
 ROLL OUT AWNING REPAIRS

# Erection Instructions

*Note: Bag Awnings are normally used on wind up type campers where the initial opening and unrolling of the awning can be done at an easy height before winding camper up. For Bag Awnings fitted to other vans (often on rear door vans) a small step ladder or step may be an advantage)*

- BAG AWNING** Unzip bag, undo centre velcro strap which holds awning inside bag and allow awning to unroll. (If on wind up camper now you can finish erecting the camper)
- Unpack poles from bag. You have three types of poles [Fig 1]
  - adjustable uprights which have plastic cap on the bottom, 2 have a threaded spigot with wing nut at the top plus a side hole approx 50mm from top these are the corner poles and one has a 'C' clamp this is the centre pole (thumbscrew allow height to be adjusted)
  - spring loaded poles which hold awning out from van, plastic cap on end near van, end poles have a spigot at other end and the centre one has a "C" clamp—all with inbuilt spring to offer constant tension
  - long double spreader which stays inside pocket of awning
- Place an upright pole into end of long spreader and then through a corner eyelet of the awning and adjust height until bottom of roof wedge is roughly horizontal. Screw wing nut onto threaded spigot but only a few turns are needed to stop awning blowing off during erection in windy conditions.
- Cap end of spring loaded pole now slips into velcro loop at van end of roof and spigot goes into hole at top of upright pole (you need to compress spring to do this) The van is protected from end of spring loaded pole by the lower part of unzipped bag. (Note: once you have velcro around the pole you should be able to slide pole out when dismantling so that velcro is already in a loop for future erection)
- Repeat 3 and 4 with other corner pole and then with centre pole (centre upright and centre spring loaded roof pole both clip onto mid point of double spreader). [Fig 2] Corner guy ropes are supplied for use if awning is erected without walls or when windy conditions are imminent. Attach guy ropes and peg down now if needed. (*Note Family Bag Awnings have 2 extra spring loaded poles*)
- BAG AWNING WALLS** Press stud draught skirt under van. Peg down to ground. [Fig 3]
- Velcro top of end walls to ends of awning. Lift bottom of walls up and slide down into track on van. Velcro long wall to awning and zip walls together in corners. Peg walls down making sure walls are square to each other. (4 pegs will go through bottom of draught skirt, no need to worry, they will go into these same holes on every occasion)
- Readjust upright poles to ensure that wall heights are reasonably tight.
- In most cases cover flaps on camper surround will now velcro onto wedge of awning and side of end walls to help further seal from weather.
- Reverse instructions to dismantle. If unit is wet when dismantling make sure to dry and air out within 24 hours.



# Doors Windows etc.

Choosing the right walls for you.

- COLOUR / PATTERN -see colour swatch page  
CHOICE \_\_\_\_\_
- DOORS / ROOM DIVIDER / WINDOWS/ BED END FLYS
- SIZE STANDARD (2100 standout) / FAMILY (2700 standout)

## DOORS - corner door (std) 1 zip

*Door must be on outer corner of either end wall as it uses existing corner zip*

## - middle door 2 zips

*Door can be any where on either end wall as it has it's own two zips*

## - door with mesh 2 zips

*Door can be any where on either end wall . You can roll up canvas to expose the mesh, roll up mesh to just have canvas or roll up both for the door to be open.*

## ROOM DIVIDER - with corner door

To split your annexe into two rooms you can add a room divider. Complete with corner door this wall will zip to your long wall and fix to rope track on your van.

## WINDOWS - scenic window (std) (outside roll up)

*Has two vertical zips in wall with mesh sewn behind. Mesh is approximately 6' (183cm) high including 1' (30cm) of canvas at bottom for strength. Width is 6' (183cm) maxi*

*mum. Outside canvas flap can be zipped closed, rolled up to be open or flown out to provide more shade either horizontally with two extra poles or on an angle with some short ropes pegged to the ground.*

## - picture window (inside control)

*U shaped zip sewn into wall with mesh sewn on outside. Window can be rolled down to expose as much or as little mesh as is needed for ventilation and light or for privacy.*

## BED END FLYS (over camper beds to insulate from heat and cold)

### - bag style

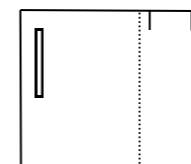
*Same as bag awning, stays on van and zips into own bag for travelling*

### - standard

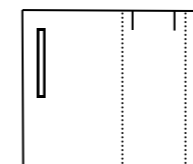
*Slides into track for use and store away in van when travelling*

### - fly mesh walls

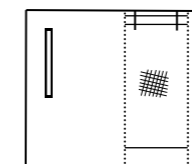
*Mesh walls add more protection from the heat with shade cloth that can be sewn on or attached with velcro*



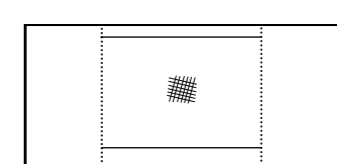
corner door



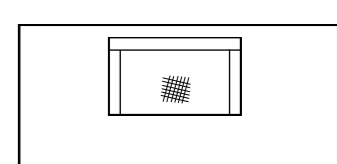
middle door



door with mesh



scenic window



picture window

